



## HEAT-X (HX572K6J) Fire Proximity Kit

### Description

Aluminized workwear are important part of our Personal Protective Equipment(PPE) plan for workers exposed to molten metal splash or radiant heat. These are primary protective clothing designed to reflect radiant heat and protect workers from burns when working in high temperature environments.

These are made from woven fabrics including a FR base fabric, layers of Aluminium. This kit consists with :

- Jacket
- Trousers
- 14" Hand Gloves
- 14" Leg-guard
- Hood with Helmet and Gold Coated Visor
- Storage Bag

INDUSTRY	
Metal	Oil & Gas
Mining	Cement
Automotive	Heavy Engineering
Power Distribution	Construction

### SPECIAL FEATURES

 IFR	 LIGHT WEIGHT	 FLEXIBLE	 DURABLE
---	--	--	---

### FEATURES

Skin friendly fabric
Protection against molten metal
Protection against high radiation heat
FR performance will remain same during the working life
The hi-tech fabric will not cause any itchiness, stiffness

### STORAGE

May be stored in the dark for upto 2 years
Do not store in direct/high heat or sunlight at this may distort the properties of the fabric
Can be stored and transported in their original cartons at ambient temperature



Outer Shell  
EN ISO 11612:2015



A1 B1 C3 D3 E3 F1

Inner Shell  
EN ISO 11612:2015



A1 B1 C1 F1

EN 388 : 2016



A B C D E F  
1 X 4 3 F X

EN 407:2021



A B C D E F  
4 2 4 3 4 2

FRP Helmet  
IS 2925:1984



Visor



CE  
0196

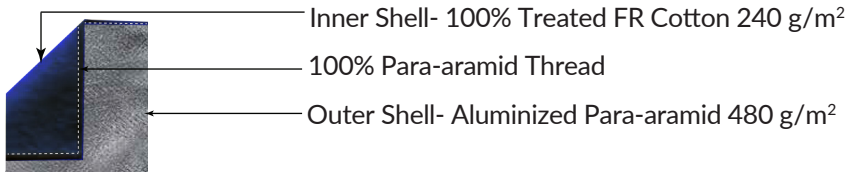


### Udyogi



STYLE	FABRIC COMPOSITION	TRIM	ACCESSORIES	MARKING
Jacket, Trousers, Hand Gloves, Leg guard, Hood	Outer shell: 100% Aluminized (480g/m <sup>2</sup> +5%)	<ul style="list-style-type: none"> <li>• 100% Para-aramid Thread</li> <li>• FR Velcro</li> <li>• Metal Button</li> <li>• FR Zipper</li> </ul>	<ul style="list-style-type: none"> <li>• FRP Helmet</li> <li>• Gold Coated Visor</li> </ul>	Manufacturer Logo, Model No. Fabric Composition, Certification, Size
	Inner shell: 100% Treated FR Cotton 240 g/m <sup>2</sup>			

### FABRIC COMPOSITION



### MODEL DESCRIPTION

Jacket	Trousers	
<ul style="list-style-type: none"> <li>• High collar</li> <li>• Press button with velcro adjustment</li> </ul>	<ul style="list-style-type: none"> <li>• Velcro adjustment</li> <li>• Press button</li> <li>• Available with belt loop</li> </ul>	<ul style="list-style-type: none"> <li>• Elasticated back of better fitting</li> <li>• Zipper closer(optional)</li> <li>• Velcro closer</li> </ul>
Leg-guard	Hood	
<ul style="list-style-type: none"> <li>• Velcro adjustment</li> <li>• Universal size</li> <li>• Hidden steel plate for better fitting (optional)</li> </ul>	<ul style="list-style-type: none"> <li>• Window panel for easy insert of gold coated visor</li> <li>• Window size 495X244X1.5mm</li> <li>• Available with integrated helmet inserting slot</li> </ul>	<ul style="list-style-type: none"> <li>• Suitable for gold, clear visor</li> <li>• Suitable for any types of FRP helmet</li> </ul>

### AVAILABLE SIZES

Jacket & Trousers	Hand Gloves & Leg-guard
S, M, L, XL & XXL	12, 14, 16 & 18 inch

COLOUR	CLEANING		PACKING
Silver	<b>Workwear:</b> <ul style="list-style-type: none"> <li>• Cleaned dry with a soft brush.</li> </ul>	<b>Visor:</b> <ul style="list-style-type: none"> <li>• Clean with soft cloth</li> <li>• Do not use solvents or abrasives</li> </ul>	1 set per packet




EN ISO 11612:2015 - OUTER SHELL			
CODE	INSPECTION CHARACTERISTIC	STANDARD	LEVELS
A	Limited Flame spread	ISO 15025	1 ( Lowest 1, Highest 3)
B	Convective Heat	ISO 9151	1 ( Lowest 1, Highest 3)
C	Radiant Heat	ISO 6942	3 ( Lowest 1, Highest 4)
D	Liquid Molten Aluminium	ISO 9185	3 ( Lowest 1, Highest 3)
E	Liquid Molten Iron	ISO 9185	3 ( Lowest 1, Highest 3)
F	Contact Heat	ISO 12127	1 ( Lowest 1, Highest 3)


EN ISO 11612:2015 - INNER SHELL			
CODE	INSPECTION CHARACTERISTIC	STANDARD	LEVELS
A	Limited Flame spread	ISO 15025	1 ( Lowest 1, Highest 3)
B	Convective Heat	ISO 9151	1 ( Lowest 1, Highest 3)
C	Radiant Heat	ISO 6942	1 ( Lowest 1, Highest 4)
F	Contact Heat	ISO 12127	1 ( Lowest 1, Highest 3)

**DIAGRAM OF VISOR**

Dimension: 495X244 mm  
Width: 1.5 mm  
Material: Polycarbonate  
Sealed  
Gold Coated

**SPECIAL FEATURES**

  
Scratch  
Resistance

  
Anti-fog



## DIAGRAM OF HELMET

### Thermoguard 9001LRX



- Weight: 398 gm. approx



### SPECIAL FEATURES



Protection  
against  
Radiant heat



Impact  
Resistance



Crack  
Resistance

## CARE AND MAINTENANCE

- Chlorine bleach should never be used, this can change in the properties for which the manufacturer can assume no liability.
- Store the Aluminized Jacket, Trousers, Hand Gloves, Leg-guard, Hood by hanging dry in a well ventilated area out of direct sunlight.
- Garments for protection of close approach towards molten metals only.
- The life of garment depends on use & exposure.
- Rubbing against rough or sharp edges is particularly harmful to the outer layer.
- Rough handling, folding and abrasion should be avoided.